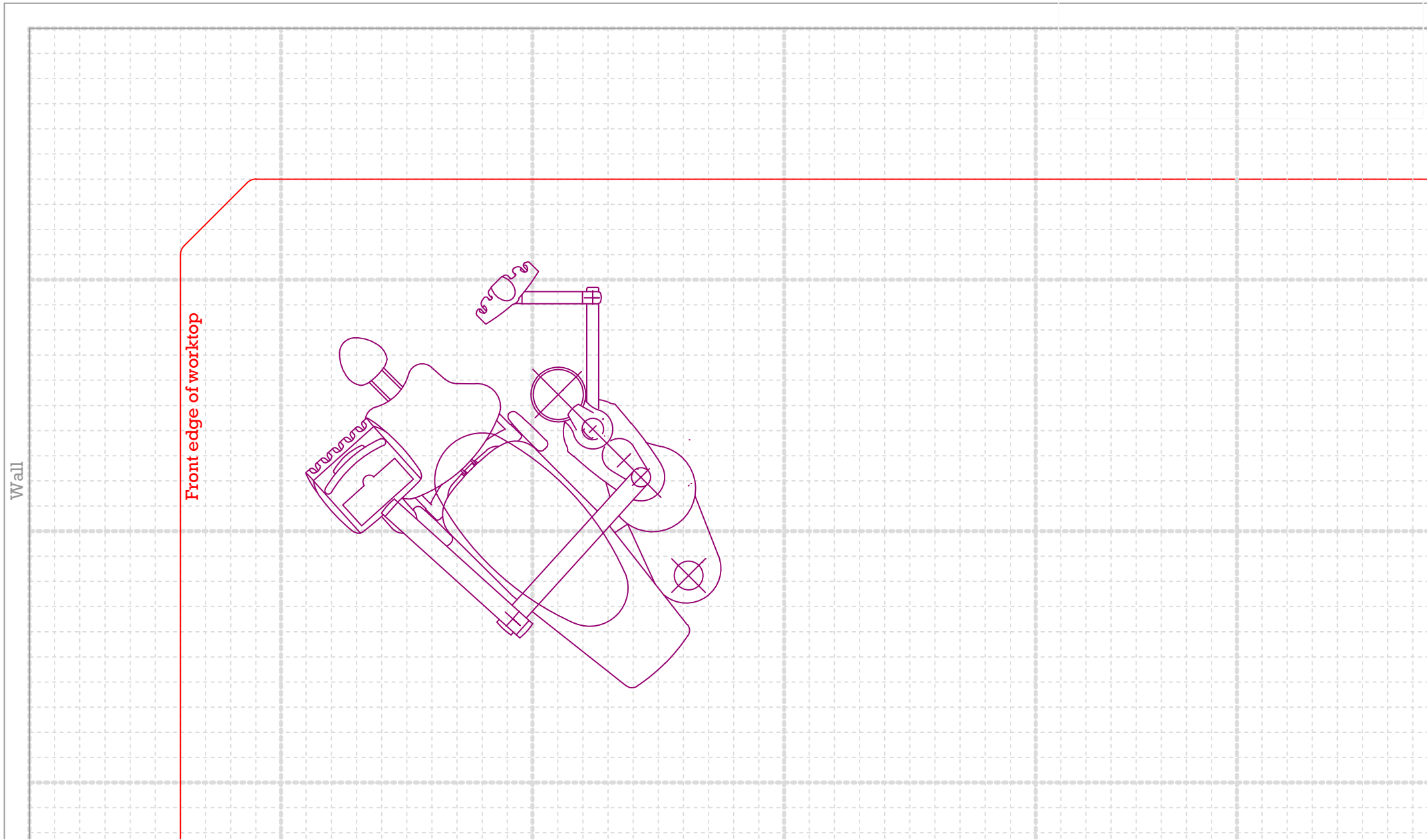


# 'L' Shape Spacing



Each small square = 100mm. Each large square = 1m

Scale = 1:20 at A4 paper size

Check your printer is set to 'Paper Scaling = None'